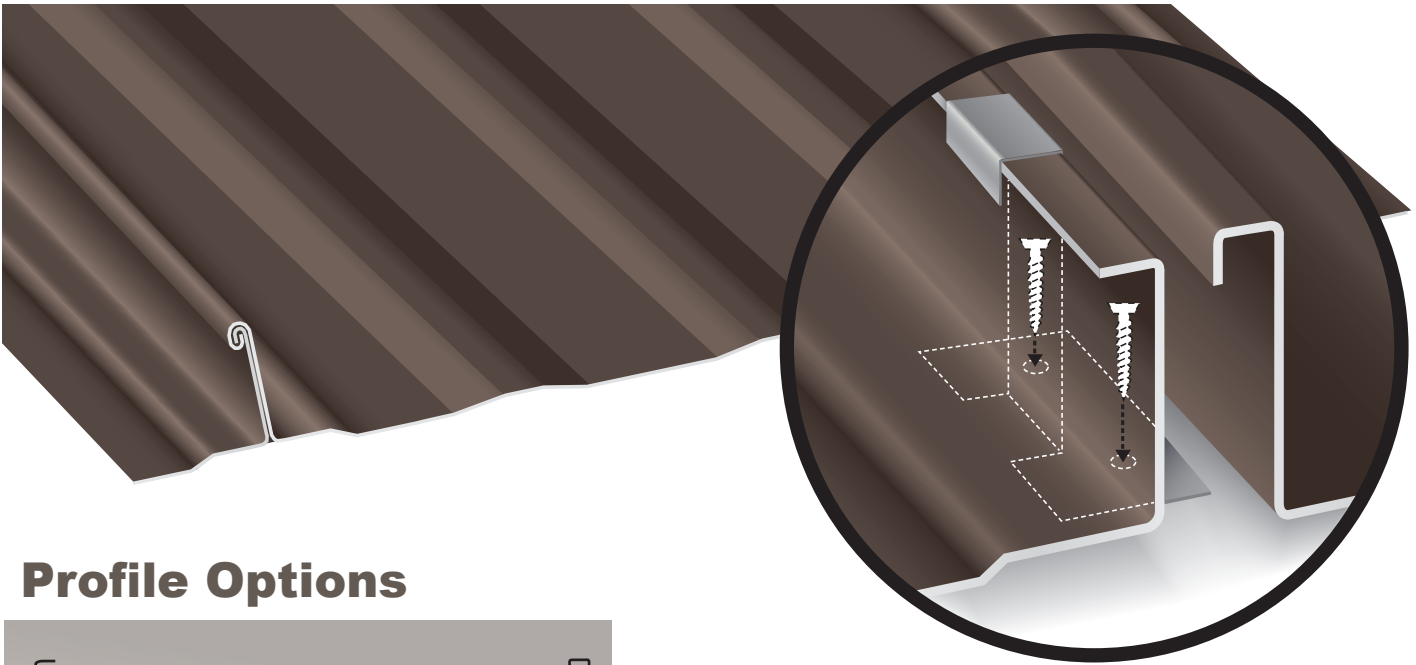


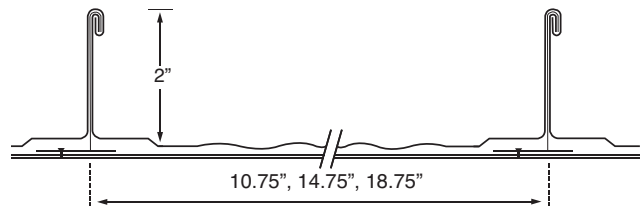
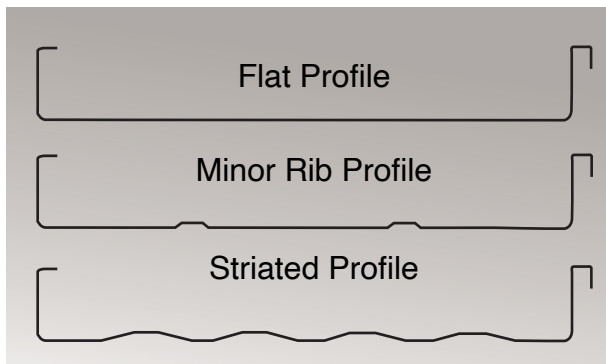


## DL-200

The Everlast Metals DL-200 is a double-lock architectural/structural standing seam system that provides a classical look that is supportive of more rigorous wind-load designs required for many architectural projects. The 2" seam height enables the panel to be structurally sound yet architecturally appealing, and its heavy-gauge concealed fasteners allows for maximum thermal movement.



### Profile Options



### Available Product Options:

1. Weathertight warranty
2. Tapered panels
3. Available in steel and aluminum



### Features:

- 35-Year finish warranty for Fluoropon®
- 40-Year finish warranty for Synergy™
- Minimum length of 4'
- Panel widths 10.75", 14.75", 18.75", custom
- Minimum slope requirement 1:12
- Watertight side lap
- May be applied over solid or open framing

10 Enterprise Court, Lebanon, PA 17042  
Local: (717) 389-0234 Fax: (717) 450-4348